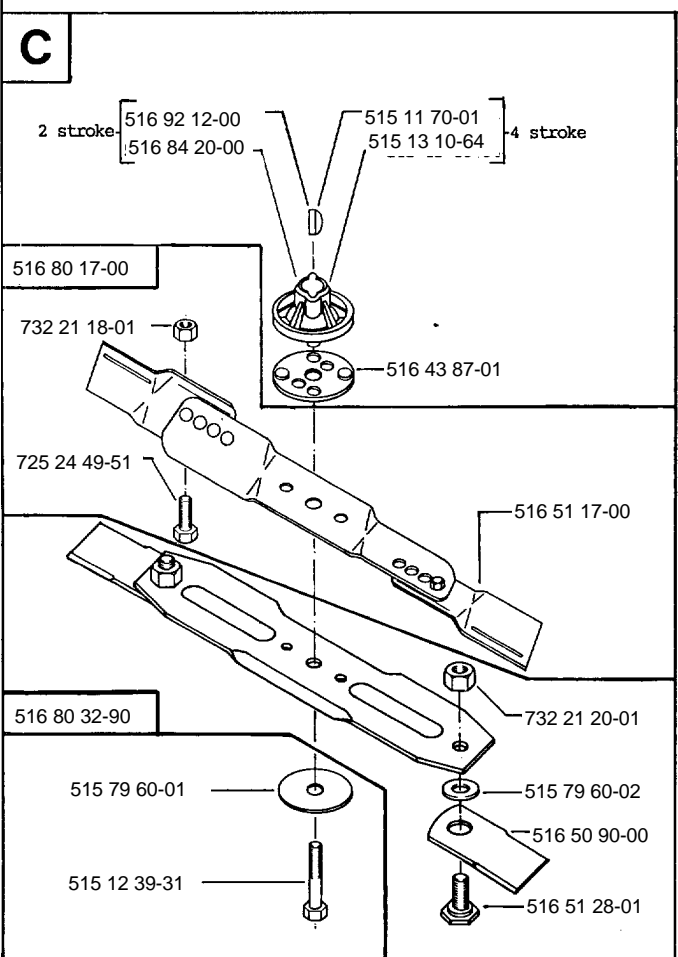
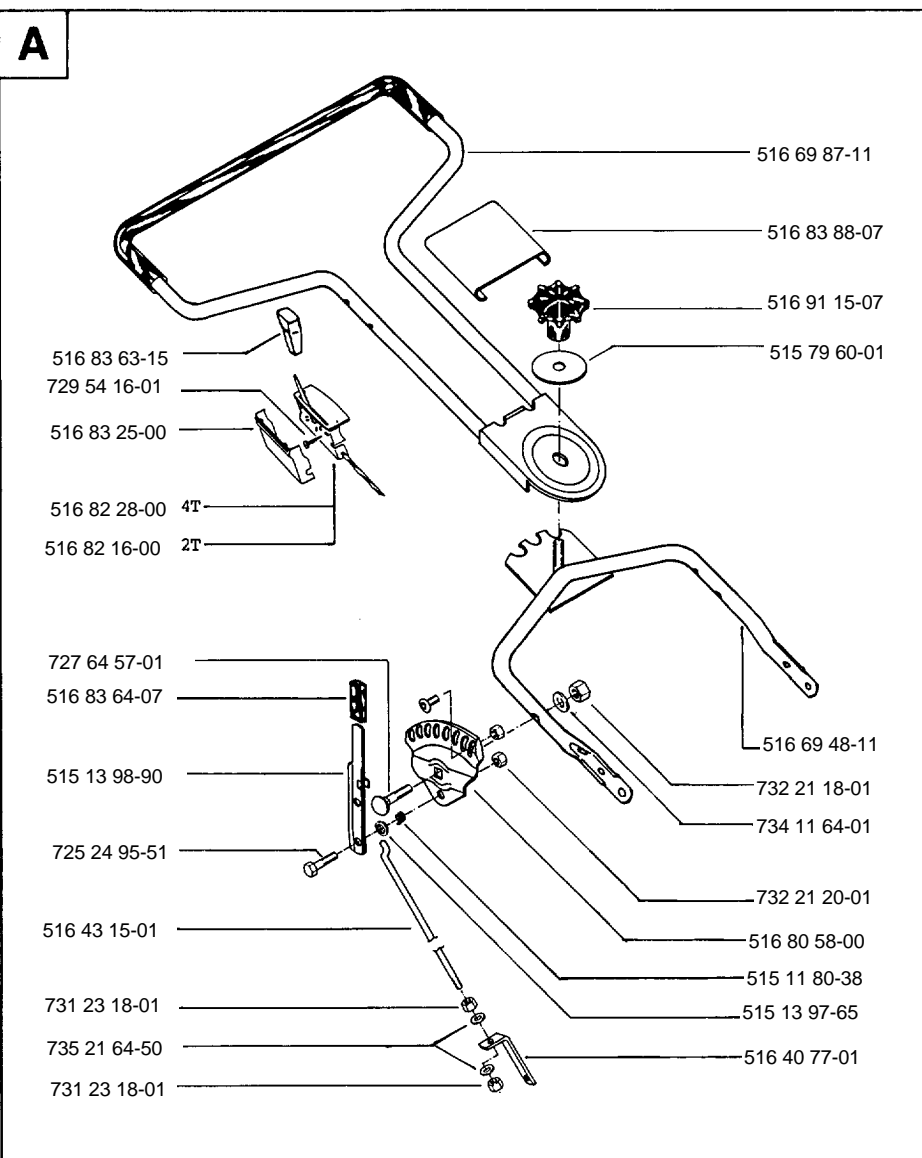
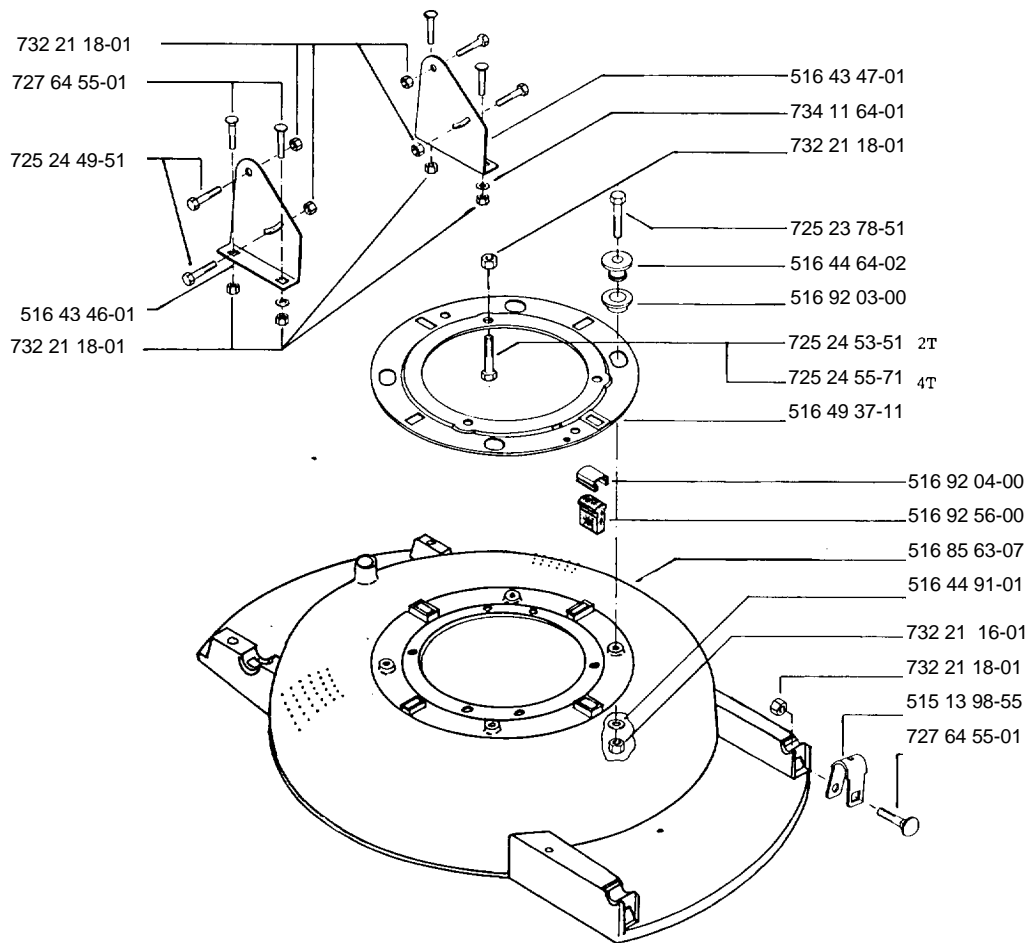


| Ref.No. Teil-Nr N° de réf. Ref.No. N° ref. Ref. nr. | Square Viereck Carreau Vak Cuadro Ruta |
|--|---|
| 515 10 46-34 | D |
| 515 11 60-40 | D |
| 515 11 70-01 | C |
| 515 11 80-38 | A |
| 721 61 80-01 | D |
| 515 12 39-31 | C |
| 515 13 10-64 | C |
| 515 13 97-65 | A |
| 515 13 98-55 | B |
| 515 13 98-90 | A |
| 515 79 60-01 | A, C |
| 515 79 60-02 | C |
| 516 40 77-01 | A |
| 516 43 15-01 | A |
| 516 43 46-01 | B |
| 516 43 47-01 | B |
| 516 43 68-01 | D |
| 516 43 87-01 | C |
| 516 44 07-01 | D |
| 516 44 64-02 | B |
| 516 44 91-01 | B |
| 516 49 36-11 | D |
| 516 49 37-11 | B |
| 516 50 75-01 | D |
| 516 50 90-00 | C |
| 516 51 17-00 | C |
| 516 51 28-01 | C |
| 516 69 48-11 | A |
| 516 69 87-11 | A |
| 516 70 52-01 | D |
| 516 70 53-01 | D |
| 516 80 17-00 | C |
| 516 80 32-90 | C |
| 516 80 58-00 | A |
| 516 82 16-00 | A |
| 516 82 28-00 | A |
| 516 82 53-08 | D |
| 516 83 25-00 | A |
| 516 83 63-15 | A |
| 516 83 64-07 | A |
| 516 83 88-07 | A |
| 516 84 20-00 | C |
| 516 85 63-07 | B |
| 516 90 51-00 | D |
| 516 91 15-07 | A |
| 516 92 03-00 | B |
| 516 92 04-00 | B |
| 516 92 12-00 | C |
| 516 92 56-00 | B |
| 725 23 78-51 | B |
| 725 24 49-51 | B, C |
| 725 24 53-51 | B |
| 725 24 55-71 | B |
| 725 24 95-51 | A |
| 727 64 55-01 | B |
| 727 64 57-01 | A |
| 729 54 16-01 | A |
| 731 23 18-01 | A |
| 732 21 16-01 | B |
| 732 21 18-01 | A, B, C |
| 732 21 20-01 | A, C |
| 734 11 64-01 | A, B |
| 735 21 64-50 | A |



B

Motor Br. & Str. 113 908 4T
 Motor Br. & Str. 95 722 2T

**D**